



## **Infrared heating panels**

SolBee

SBP300 (C) (300 W)

SBP450 (C) (450 W)

SBP600 (C) (600 W)

SBP800 (C) (800 W)

SBP1000 (C) (1000 W)

SBP1000B (C) (1000 W)

# **INSTALLATION AND OPERATING INSTRUCTION**

*Please read this instruction carefully before starting using the appliance.*

*The manufacturer/seller doesn't accept any responsibility for damage of property or personal injury resulting from failure to follow the instructions in this manual.*

*Following the instructions in this manual will ensure long working life, the overall electrical and mechanical reliability. Keep this manual in a safe place*

**Contacts:**

**UAB "Komerta"**

**M. Mazvydo str. 15, Vilnius, LT-06256**

**Phone +370-657-73013, [info@solbee.eu](mailto:info@solbee.eu), [www.solbee.eu](http://www.solbee.eu)**

## INSTALLATION AND OPERATING INSTRUCTION

The safety of the heater is ensured by using it properly and in accordance with the instructions in this manual. It is therefore necessary to keep this instruction for future references. The device must be disconnected from the power before performing any installation work.

### PARAMETERS:

Class I, IP 44

**SBP300 (C): 300 W, 220-240 V, 50 Hz, 592x592x30 mm, 6,6 kg**

**SBP450 (C): 450 W, 220-240 V, 50 Hz, 592x892x30 mm, 9,5 kg**

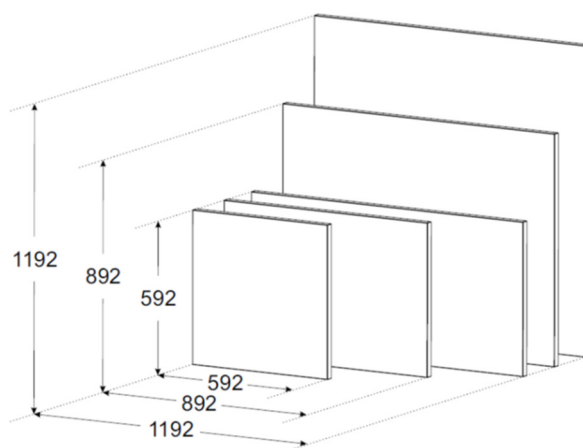
**SBP600 (C): 600 W, 220-240 V, 50 Hz, 1192x592x30 mm, 12,7 kg**

**SBP800 (C): 800 W, 220-240 V, 50 Hz, 1192x892x30 mm, 18,5 kg**

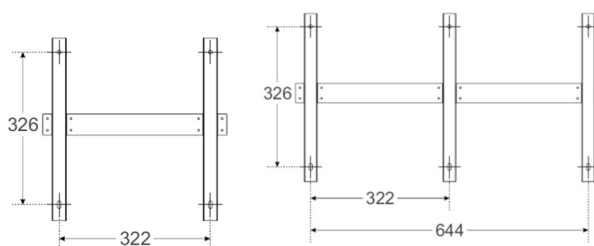
**SBP1000 (C): 1000 W, 220-240 V, 50 Hz, 1192x892x30 mm, 18,6 kg**

**SBP1000B (C): 1000 W, 220-240 V, 50 Hz, 1192x1192x30 mm, 24,4 kg**

The infrared heating panel can be equipped with a cable for connecting the permanent installation wires or with cable and plug (labeled as C) for connection via socket.



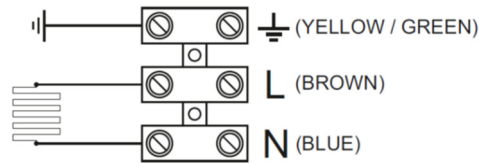
Panels measurements



Fixing brackets measurements

## CONSTRUCTION

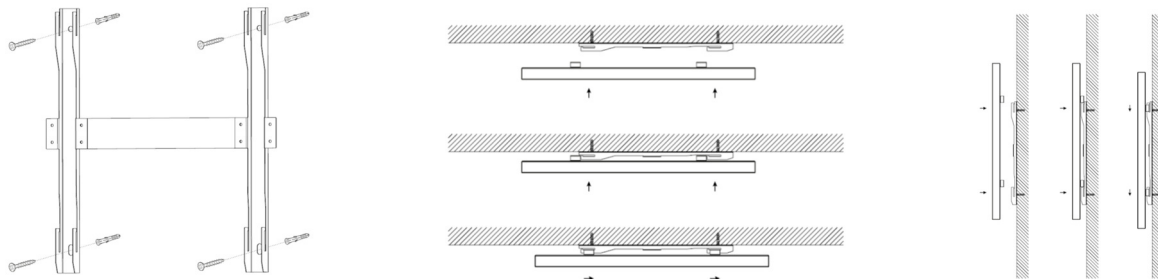
The heater is made of powder coated galvanized sheet steel. Comes with cable without plug. To connect heating panel to power line use wires 3x0,75 mm<sup>2</sup> or larger.



Principal power connection scheme for heating panels

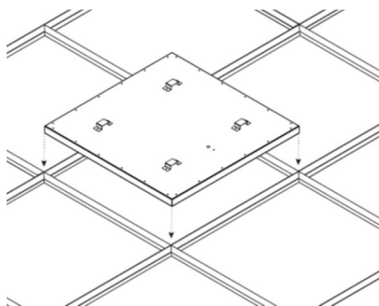
## INSTALLATION

- The heating panel should be installed on both: non-flammable and flammable surfaces.
- The heating panel could be installed either on ceiling or either on wall.
- The heating panel should be installed at height of 2,5 – 3,0 meters.

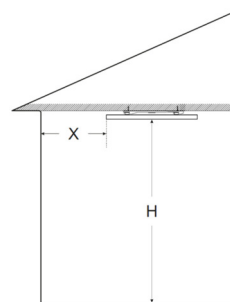


Ceiling and wall mounting schemes

Infrared heating panels SolBee could be installed in modular ceiling systems Armstrong, Thermoform, Rockfon and etc. (600x600, 600x1200).



Installing in modular ceiling systems



Power	X	H
300 – 600 W	0,5 m	2,4 – 2,7 m
800 – 1000 W	1,0 m	2,7 – 3,0 m

Minimal distances for mounting on ceiling

## HEATING PANELS CONTROL

Infrared heating panels should be controlled by external room thermostat. The thermostat maintains preset room temperature and switches on the heating panel, then temperature drops down and switches off, then temperature reaches preset in thermostat. The panel should be powered by the separate wire with circuit breaker (switch) in order to be able to disconnect panel from the electricity supply.

## IMPORTANT

- If the heating panel is used where children are present, adult supervision is required; the heater should not be used by adults or children whose physical, sensory and mental abilities do not allow them to take the necessary safety measures without adult supervision.
- The defected power cord could be replaced only by the manufacturer, warranty service specialist or a qualified electrician.
- Never touch the heating panel with wet or damp hands.

**WARRANTY SERVICE**

Heating panel has **5 years warranty** from the date of purchase:

- After this period, warranty service will be ceased.
- The invoice, purchase receipt or agreement shows the duration of the warranty period.
- Warranty damage to the heating panel due to factory fault.
- Warranty service does not apply to wearing parts.

Warranty service is not applied if:

- The heating panel has been disassembled or repaired by unauthorized persons.
- Heating panel has been neglected or damaged during transportation or use.
- User was not following operating instructions, unauthorized persons performed maintenance work, heating panel installed incorrectly.

The heating panel will be repaired, not replaced. During the warranty period, repairs are free of charge upon delivery to the factory or to one of our authorized distributors.

**Important information about environmentally friendly disposal of the heater**

**IN SOME EUROPEAN UNION STATES FOR THIS DEVICE NATIONAL LAW IMPLEMENTING THE WEEE DIRECTIVE IS NOT APPLIED, SO WITHIN THESE COUNTRIES COULD NOT BE APPLIED SEPARATE DISPOSAL PROCEDURE AFTER THE END OF DEVICE WORKING LIFE.**

The device complies with EU Directive 2002/96/EC. After the end of device life, the heater cannot be disposed with the household waste and must be taken to an electrical and electronic equipment collection center or returned to the seller, then purchasing new device. It is the user's responsibility to dispose this device correctly at the end of its working life. Failure to comply with this procedure is subject to penalties under the Waste Management Act. Proper sorting and subsequent recycling, treatment and environmentally friendly disposal of waste avoids environmental damage and associated health risks, also encourages the recycling of materials used in the device.



WARRANTY REPAIR NOTES

Warranty 5 years

	Warranty repair date	Performed repairs
Model.....		
Purchase date.....		